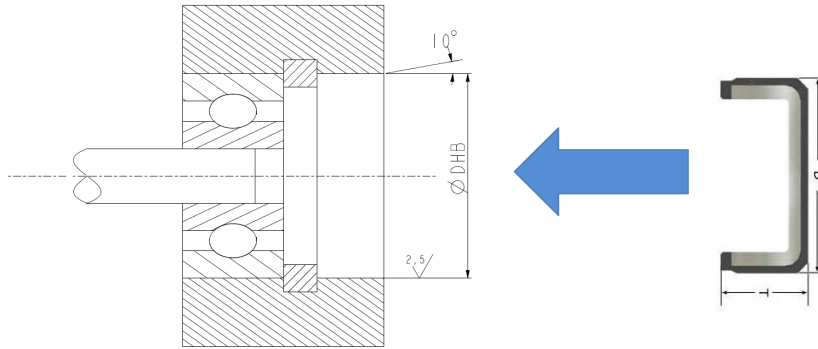


BEST RING INDUSTRIAL CORPORATION

END CAP SIZE LIST



NOMINAL SIZE	
D	T
16	4
22	4
22	7
28	7
28	9
30	8
32	7
32	8
35	7
35	8
40	7
40	10
42	9.5
47	6.5
47	7
47	8
47	10

NOMINAL SIZE	
D	T
50	8
52	6.5
52	10
55	8
55	8
55	9
55	10
60	10
62	7
62	8
65	10
72	9
72	10
75	8
80	8
80	9
80	10

NOMINAL SIZE	
D	T
80	12
85	10
90	8
90	10
100	12
110	8
110	10
110	10
110	12
130	10
140	12
160	12
160	15
170	12

NOTE :

1. Order more than 1000pcs, mold charge will be "FREE". Logo is "NO BRAND".
2. BEST RING can supply end caps *CUSTOMIZATION*, and according to your sample or drawing to develop and produce.